

2008-2009

ILLINOIS

JUNIOR

STATE

CONVENTION

BULLETIN

Mr. Steve Webb
State Council Chair

Leslie Bradley
Junior State Sponsor

Melody Rose
Junior State Sponsor-Elect



ILLINOIS JUNIOR BETA CLUB

Dear Illinois Junior Beta Sponsors:

The Illinois State Junior Beta Convention will be held in Springfield, Illinois at the Crowne Plaza on February 2-3, 2009. I hope you and your club are making plans to attend this exciting convention.

The theme for the convention is **“Lights! Camera! Beta! Scene 75”** an appropriate theme for this year. Our National Junior Convention will be held in Orlando, Florida in June 13-16, 2009.

This bulletin also has your hotel form, convention registration form, and other important information. Read through your bulletin **carefully**. If you have any questions, please feel free to contact me at anytime. My numbers, mailing address, and e-mail address are at the bottom of the page. I have changed schools so please note the address. If you have any questions for the National Beta office, you may reach them at 1-800-845-8281. Due to the demand for hotel rooms, we encourage you to make your reservations early.

Thank you for your cooperation. I am eager to help you in any way I can to make this convention a success for you and your club. If you have any questions, remember I am only a phone call away.

I am looking forward to seeing each of you in Springfield!

Sincerely,

Leslie Bradley, Illinois State Sponsor

School: Vienna High School
601 North First Street
Vienna, IL 62995
School: (618) 658-4461 ext. 228
Home: (618) 634-9451
FAX: (618) 658-2122
bradley@accessus.net

TABLE OF CONTENTS

CONVENTION INFORMATION	4
CODE OF CONDUCT	6
WHERE TO SEND WHAT!!!!!!!!!!!!!!.....	7
TENTATIVE SCHEDULE FOR THE 2008 CONVENTION	8
CONVENTION SCHOOL PLACARD.....	10
NOMINATION FOR STATE OFFICE.....	11
DISQUALIFICATION PROCEDURE OF SKIT/CANDIDATE.....	14
NOMINATION FOR STATE OFFICE- FORM I.....	15
NOMINATION FOR STATE OFFICE- FORM II	16
TALENT COMPETITION RULES.....	17
GROUP TALENT ENTRY BLANK.....	18
SPECIAL TALENT ENTRY BLANK.....	19
ARTS AND CRAFTS COMPETITION RULES	20
ARTS AND CRAFTS COMPETITION ENTRY FORM	21
ARTS AND CRAFTS DESCRIPTION TAGS	22
ACADEMIC COMPETITION RULES.....	23
BANNER COMPETITION RULES	25
BANNER DESCRIPTION TAG	26
ESSAY COMPETITION RULES	27
ESSAY COMPETITION FORM	28
LIVING LITERATURE COMPETITION RULES	29
POETRY COMPETITION RULES	30
POETRY COMPETITION FORM	31
POSTER COMPETITION RULES	32
QUIZ BOWL COMPETITION RULES.....	33
QUIZ BOWL ENTRY FORM.....	34
SCRAPBOOK COMPETITION RULES.....	35
SONGFEST COMPETITION RULES.....	36
SONGFEST COMPETITION ENTRY FORM	37
SPEECH COMPETITION RULES	38
SPELLING BEE COMPETITION RULES	39
T-SHIRT DESIGN COMPETITION RULES.....	40
TOWER OF POWER RULES	41
CONTESTS ENTRY FORM.....	42
REQUEST FOR JUDGES	43
ONLINE REGISTRATION FORM.....	44
REQUEST FOR ROOM RESERVATIONS	45
HOTEL RESERVATIONS ROOMING LIST.....	43

CONVENTION INFORMATION

ILLINOIS JUNIOR BETA CLUB CONVENTION

1. **Decide HOW and WHEN members will go to the Convention and WHERE the club will stay.** Transportation will vary according to whether public transportation or cars are used. Figure costs and prorate them. Since each group arranges for its own lodging, you will need to know how many nights you will spend and what the charge for the lodging will be. Prorate that; then estimate the cost for meals. Add all of this to the REGISTRATION mentioned in 3 and you will have the total cost of the Convention per person. This does not include shopping, souvenirs or entrance fees to any places of interest your group may visit. Items bearing the Junior Beta Club Emblem will be available at the convention. Students may desire to purchase these items. Please advise them that these items will be available to insure that they will have sufficient funds to make their purchases.
2. **No saved or taped off seating allowed in the ballroom. First come/ first served seating.**
3. **PRE-REGISTRATION FEE** is \$16.00 per Junior Beta attending the convention, which admits registrants to all Convention functions, including the dance. **ALL MUST REGISTER!** This fee is used to defray the costs of the Conventions - facilities, printing of programs, speaker, name badges, etc. Adult chaperones are also asked to register so that a correct count of attendance may be had, and in case of sickness, calls from home, etc. can be referred. NO REGISTRATION FEE for adults is charged. Since admission to meetings is by name badge only, the chaperones should all register and get a name badge. **There will be no refunds.**
4. **REGISTRATION: The registration is now online at www.sponsors.betaclub.org. The online registration form must be completed, submitted, printed and mailed with the registration fee to the National Office by the postmark deadline date of December 17, 2008.**
5. **ENTRY TO THE DANCE** is included in the registration fee. Dress is officially informal for the dance, but must be in good taste. Girls usually wear dresses and boys wear nice slacks and a shirt or a suit.
6. **MEALS:** Most clubs that raise Convention money pay for the registration, lodging and/or transportation costs. Each student usually pays for his/her own meals.
7. Each club usually pays the Convention expenses of their chaperones, the Sponsor, school officials or whoever is kind enough to come with them. One Sponsor from each club **MUST ATTEND** the Sponsors' meeting at the designated time listed in the program. It is recommended that each club should have one Sponsor or chaperone for each ten students.
8. **No balloons, fire, hay or confetti allowed at the convention.**

9. **REGISTER EARLY! ENCLOSE THE ONLINE REGISTRATION FORM WITH A LIST OF JUNIOR BETAS ATTENDING AND A CHECK FOR \$16.00 for each Beta Club member to:**
- National Beta Club
151 Beta Club Way
Spartanburg SC 29306-3012**
- Registration should be postmarked by **December 17, 2008**. Late registration fee will be **\$18.00 per Beta Club Member**.
10. **MAKE HOTEL RESERVATIONS EARLY!** Do not send advance hotel registration for the Junior Beta Convention to the National Office. When you arrange for your lodging, ask for WRITTEN CONFIRMATION of rooms and EXACT RATES and send a deposit. If possible, give the exact number of boys, girls and chaperones. Tell how many will occupy rooms together. The cost is determined by the number of people in a room. A hotel rooming and rate form is included in this packet. It is courteous and greatly appreciated to cancel any extra hotel reservations you may have as soon as you know about this. In like manner, if more Junior Betas decide to go than you had reservations for, notify the hotel or motel so they can better help you with your accommodations.
11. It is the National Beta Club's intention to make this convention as pleasant as possible for all attendees. Please let us know if there are any special accommodations that you need so that we may, if reasonably possible, attempt to make appropriate arrangements. You must notify us at The National Beta Club, 151 Beta Club Way, Spartanburg, South Carolina 29306-3012 by no later than **December 17, 2008**. Your failure to timely notify us may result in our inability to accommodate your needs.
12. In June of 1999 the Board of Directors approved the following rules:
- A. All convention attendees and competitors must be official members registered with the National Beta Club by the registration deadline date of your convention. This means student(s) entering any of the competitions or running for office must be members at the time of the deadline date of your convention. Entry forms that are sent to the National Office that do not meet requirements will not be accepted and will be returned to you.
 - B. All Junior Beta Club candidates must be returning to a school that has an active Junior Beta Club and must have the written permission of the administration and sponsor of the school(s) involved. Be sure all forms are completed and sent to the correct address.
13. **All trophies not picked up during the awards ceremony will be shipped to the sponsor per their request COD.**
14. **An invitation to all winners to compete at the National Convention in Orlando, Florida, will be given with the trophies. However, the official competition entry form will be found at www.sponsors.betaclub.org. The sponsor will need to complete and submit the form online. Then he/she will need to print the competition entry form and send it to the National Office by the National postmark deadline of May 1, 2009.**

CODE OF CONDUCT

ILLINOIS JUNIOR BETA CLUB CONVENTION

Knowing that any organization is judged largely by the behavior of its individual members, we who attend the Junior Beta Club Convention, agree that our registering at the State Convention constitutes our subscribing to the following rules which comprise the Code of Conduct.

- Rule 1:** **EACH SPONSOR IS RESPONSIBLE FOR** each one of his/her students. Therefore, students must keep their Sponsor informed of their whereabouts at all times.
- Rule 2:** Betas registered at the Convention should be present and on time for all scheduled meetings.
- Rule 3:** Curfew is promptly at 11:00 PM unless the Council Chairman announces otherwise. This means in your own room and respectfully quiet.
- Rule 4:** Members may visit other members' rooms only with the Sponsor's knowledge and approval.
- Rule 5:** No alcoholic beverages, tobacco products or drugs, in any form, shall be possessed by anyone at this State Beta Convention. Clothing which advertises sex, drugs, tobacco or alcohol will not be permitted.
- Rule 6:** All registered Betas are expected to wear official name badges at all times.
- Rule 7:** Each registered Beta is expected to display and exert leadership qualities in a responsible manner, which will lead to the organized success of this Convention. Betas should conduct themselves in such a manner that their actions will reflect favorably on the school and community and all of those responsible for providing the student with this opportunity.
- Rule 8:** No Boom boxes will be allowed at the convention.

We agree that any violation of these rules subjects our entire chapter to being sent home and all honors and awards forfeited. Serious misconduct on our part shall be reported to our Principal and our parents, who shall be advised that we are barred from participating in future Beta Conventions, and shall constitute grounds for the cancellation of our school's charter of The National Junior Beta Club.

WHERE TO SEND WHAT!!!!!!!!!!!!!!

In your convention bulletin, you will find information on the following competitions:

- | | |
|-----------------------------|---|
| 1. Candidate for Office | 13. Social Studies Competition |
| 2. Talent Competition | 14. Language Arts Competition |
| 3. Arts/ Crafts Competition | 15. Living Literature Competition |
| 4. T-Shirt Competition | 16. Calisthenics of the Mind Competition |
| 5. Banner Competition | 17. Tower of Power Competition |
| 6. Spelling Competition | 18. Poetry Competition |
| 7. Songfest Competition | 19. Poster Competition |
| 8. Scrapbook Competition | 20. Quiz Bowl Competition |
| 9. Essay Competition | 21. Competition Entry Form |
| 10. Speech Competition | 22. Request for Judges |
| 11. Math Competition | 23. Hotel Registration |
| 12. Science Competition | 24. Online Convention Pre-registration Form |

The forms for **CANDIDATE** and **TALENT, QUIZ BOWL**, along with **YOUR ONLINE CONVENTION PRE-REGISTRATION** MUST BE SENT BY **CERTIFIED MAIL, RETURN RECEIPT REQUESTED** to:

**National Beta Club
151 Beta Club Way
Spartanburg SC 29306-3012**

Songfest entries with VHS Tape or DVD go to:

**Mrs. Joanna Lane
2200 Illinois Ave.
Eldorado, IL 62930**

The Postmark deadline for all forms is December 17, 2008.

ALL OTHER ENTRIES, *with the exception of the Hotel Registration*, are being mailed to the state sponsor and **MUST BE SENT BY CERTIFIED MAIL, RETURN RECEIPT REQUESTED** to the following address:

**Mrs. Leslie Bradley
Vienna High School
601 North First Street
Vienna, IL 62995**

The postmark deadline for *all* these forms is **December 17, 2008. All entries postmarked after December 17, 2008 will be returned.**

Online Registration forms received after the deadline will be charged the late registration fee.

**TENTATIVE SCHEDULE FOR THE 2009 CONVENTION
ILLINOIS JUNIOR BETA CLUB CONVENTION**

Note: All entries postmarked after December 17, 2008 will be returned.

MONDAY, February 2, 2009

12:00 Noon - 1:30 PM	REGISTRATION
12:30 PM - 1:00 PM	Coordinators Meeting
1:00 PM - 2:00 PM	State Officers, State Sponsor, State Sponsor-elect, and National Officials Meeting
1:00 PM - 2:30 PM	Talent Preliminaries (if needed) Check-online program a week before the convention to see if preliminaries are needed. Only top 8 Special talent and top 5 group talent will advance to finals. Talent preliminaries will be judged. Entrants will perform in order listed in program.
1:15 PM - 2:15 PM	Check in Arts and Crafts, T-Shirts, Banners, and Scrapbooks
2:00 PM - 3:00 PM	Calisthenics of the Mind, Speech, Math, Science, Language Arts, Spelling, Social Studies, Tower of Power, Poster and Quiz Bowl
2:15 PM - 3:15 PM	Judging Arts & Crafts, Banners & Scrapbooks
2:30 PM - 3:00 PM	Living Literature Set-Up
3:00 PM - 4:00 PM	Candidates Meet with State & National Officials and Officers
3:00 PM - 4:00 PM	Living Literature Contests
5:15 PM - 5:45 PM	Campaigning (meet and greet only)
5:50 PM	Presidents' Processional line up in foyer

6:00 PM - 8:30 PM

FIRST GENERAL SESSION

Presidents' Processional
Campaign Rally
Voting – 5 minutes
Keynote Speaker
Convention Songfest (Top 3)

8:30 PM - 9:30 PM

Sponsors' Hospitality
View Art, Crafts Banners, and Scrapbooks

8:30 PM - 10:30 PM

DANCE

11:00 PM

Curfew

TUESDAY, February 3, 2009

8:00 AM - 9:30 AM

Sponsors' Breakfast & Meeting:

Sponsors' Meeting with State and National Officials (at least one Sponsor from each club **must** attend) this will be a business meeting. **(Adults Only)**

Registration Continues

9:30 AM - 9:50 AM

T- Shirt Swap – Students may swap their club's shirts that were designed for the t-shirt competition

10:00 AM - 12:30 PM

SECOND GENERAL SESSION

Installation of Officers & Charge from Council

GROUP TALENT FINALS (Top 5)
SPECIAL TALENT FINALS (Top 8)

Awards and Oratory Winner's Speech
Closing Remarks
Adjournment by New State President

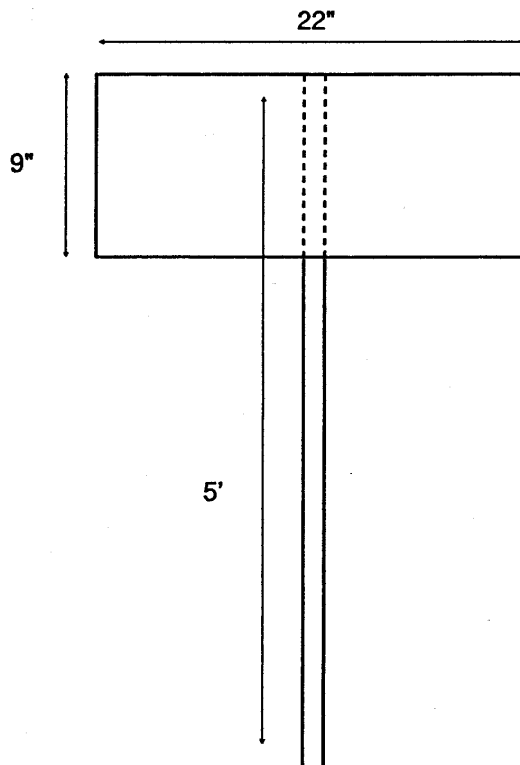
CONVENTION SCHOOL PLACARD ILLINOIS JUNIOR BETA CLUB CONVENTION

The convention delegation will be seated by clubs again with each club providing a placard. There will be **no assigned seating**. **NO** saved or taped off seating. First come first served seating.

NOTE: Please follow the guidelines carefully.

1. The placards are to be **white poster board** only.
2. Block letters must be used.
3. Use only the dimensions shown in the diagram.
4. Clubs not following these guidelines will be asked to remove their placard.

You will need two (2) pieces of poster board, 9" x 22", with name of school printed on each piece. Attach these two pieces to a flat molding five (5) feet long, two (2) inches wide, and one-fourth (1/4) inch thick. The name of the school should be easily read from both sides of the finished product.



NOMINATION FOR STATE OFFICE ILLINOIS JUNIOR BETA CLUB CONVENTION

- I. In June of 2005 the Board of Directors approved the following rule:** Junior State Officers shall be elected from among the current seventh or eighth grade Beta Club members and will hold office for one year. No officer shall serve more than one term in any office as a Junior Beta Club member.
- II. ELIGIBILITY:** Nominee must be a Junior Beta member who meets the above criteria and is in good standing, officially enrolled at the National Office by **December 17, 2008** and duly registered at the Convention. **The candidate must give notice of his/her candidacy to the National Office by December 17, 2008** and must comply with the following rules and regulations. A school may nominate for one office only. The offices are (1) President, (2) Vice-President, (3) Secretary, (4) Reporter, and (5) Chaplain. **A STUDENT ELECTED TO OFFICE MAY NOT SUCCEED HIMSELF OR HERSELF.**
- A. The nomination must be approved by the sponsor and the Executive Head of the candidate's school.
- B. EACH CANDIDATE MUST BE RETURNING TO AN ACTIVE JUNIOR BETA CLUB AND HAVE WRITTEN APPROVAL OF PRINCIPALS AND SPONSORS INVOLVED. **CANDIDATES MUST ALSO BE OFFICIAL MEMBERS OF THE NATIONAL BETA CLUB AND THE NOMINATING CLUB BY THE DEADLINE OF December 17, 2008.** The candidate must sign a pledge stating that he/she will attend all of the meetings and sessions of the Convention, including the Installation Ceremony and will fulfill ALL of the duties of the office the following year. This means he/she is obligated to attend the entire Convention both years, when nominated and when serving as a state officer.
- C. If elected and for some reason is unable to serve, the runner-up shall fill the vacancy. It is imperative for an elected officer to notify the State Sponsor and the National Sponsor immediately if he/she cannot serve.
- D. No nominations from the floor nor "write-in" candidates will be permitted. Nominations will be closed officially **December 17, 2008** unless a candidate is unopposed. In that event, the nominations will be reopened for that office until January 9, 2009.

- III. SUGGESTIONS AND DUTIES:** All elected state officers participate in the planning of the annual State Convention. The President and the State Sponsor serve as chairpersons. The Vice-President will preside at one general session. The Secretary keeps records and is in charge of all correspondence. The Reporter compiles all newsletters and is in charge of publicity for the convention. The Chaplain gives the inspirational messages at the general sessions.
- IV. PLANNING THE CAMPAIGN:** Campaigning will consist of **only** the candidate meeting and greeting in the campaign area during the designated time. **Campaigning will consist of only the candidate meeting and greeting at campaign tables during the designated time. Each candidate will be provided a table. The only thing allowed on the table will be a tri-fold, one-dimensional project board promoting the candidate. The project board must fold flat when not in use.** No handouts of any type will be allowed. No balloons, food products, handouts, band, tape players, radio, VCR, horns, or any other noise makers may be used in the campaigning. No campaigning will be permitted outside the campaign area except the wearing of T-shirts and verbal campaigning before or during the convention. Any Beta member from the candidate's school may participate in his/her campaigning. **Violation of these rules may result in the disqualification of the candidate.**
- V. THE NOMINATION:** If your club decides to sponsor a candidate, study all rules, fill out the appropriate form(s) and send by **CERTIFIED MAIL, RETURN RECEIPT REQUESTED** to:
- The National Beta Club
151 Beta Club Way
Spartanburg SC 29306-3012
- VI. CAMPAIGNING:** The candidates will wear the candidate's ribbon after the candidate's meeting on Monday. The campaign speech is allotted two minutes and the skit one minute. Each will be timed separately and should not exceed the time limit. During the candidate's speech **NO** singing or rapping will be allowed. The speech is to be strictly a speech.
- VII.** A candidate **cannot** participate in the talent contest, songfest, or any of the academic competitions. To do so will result in disqualification. Candidates may participate in the Arts & Crafts competition.
- VIII. If violations of the following rules occur, the State Sponsor and Council will disqualify the candidate.**
- (A) The candidate will only take part in campaigning and campaign speeches at the convention.
- (B) The speech will have a time limit of two (2) minutes. The candidate will not speak after the whistle has been blown.

- (C) During the candidate's speech **NO** singing or rapping will be allowed. The speech is to be strictly a speech. Speech should be original with some substance. The speech should not be a list of your qualifications. Deliverance of speech must not be suggestive in anyway. (No sexual connotations)
Content of the speech and skit must not have reference to or use of alcohol, drugs, tobacco, weapons, violence, sex, bathroom humor, underclothing, race, etc. (Be careful of movie, music, commercial, etc that is chosen for speech and skit.)
The content of the speech and the promotional skit must be **appropriate**.
- (D) The candidate will use no costuming, props, slides, videos or inappropriate gestures during the speech and question/answer segment
- (E) The candidate's speech will be followed by the promotional skit. **The skit will be judged.** The dress for participants in the skit must be appropriate with no low-cut tops, no midriffs showing, no skin tight clothing, shorts must be worn under very short skirts. It would be best not to have skirts very short when on the stage. No strapless or spaghetti strap tops. No hay, balloons, confetti or fire can be used in skit. **Cheerleading stunts without the use of mats are not recommended.**
- (F) The candidate will not take part in the promotional skit.
- (G) Young ladies must wear a dressy pantsuit with coordinating long sleeve jacket, or business suit. The length of the business suit skirt must be below the knee, with a front, side or back slit no longer than 2" above the knee. The jacket's sleeve must be to the wrist. No low cut or tight fitting tops will be allowed. No strapless or spaghetti straps for dresses or tops will be allowed and clothing must not reflect candidate's slogan or name. (Example: if your last name is flowers or flowers are a part of your slogan, your clothing may not have flowers on it.)
- (H) The young men must wear a suit or jacket with dress slacks, a tie, collared dress shirt and dress shoes. Clothing may not reflect candidate's slogan or name. See example in (G).
- (I) The candidate and skit participants can use the microphone out of the stand, but must remain on stage.
- (J) Nothing shall be thrown from the stage into the audience.
- (K) The promotional skit will have a time limit of one (1) minute. The participants must stop when the whistle is blown.
- (L) **If the skit is disqualified because of inappropriateness, the candidate will be disqualified as well.**

DISQUALIFICATION PROCEDURE OF SKIT/CANDIDATE

It is not the desire of the National office that any student be disqualified. Yet, there are rules that must be followed. Therefore, the following procedure has been put into place for all State and National Conventions beginning the 2007-2008 convention year.

- ❖ **National Sponsor:** Review the rules in detail at the candidate's meeting with the candidates and the sponsor or chaperone present.
- ❖ **State Sponsor and/or National Sponsor and competition coordinator:** Review the rules with the judges in a meeting to be held before the competition begins. Judging sheets have been changed to help guide the judges.
- ❖ **During the candidate speeches and skits:** In addition to the five judges, two observers (one from the National office and/or State Sponsor and the other being a school sponsor) will be appointed to observe and take notes on the speech and skit. Two Board/Council members will be assigned to attend and observe the Campaign Rally in its entirety.
- ❖ **After the competition:** The National Sponsor and/or State Sponsor, the five judges, and the two observers will compare notes to check for any infraction.
- ❖ **Board/Council Review:** If there is a concern, two members from the Board/Council will review the skit with the National Sponsor and/or State Sponsor.
- ❖ **Final Decision:** A decision to disqualify will be made by this group.
- ❖ **Immediate Follow-up:** The sponsor of the disqualified candidate and club will be notified immediately (before the vote) by the National Sponsor, and/or State Sponsor or a Board/Council member from the group making the final decision. An open announcement of the disqualification will be made by candidate number to the convention from the podium.
- ❖ **Follow-up:** Any concerns relating to disqualification must be made within 30 days after the convention in writing by the school principal.

CAMPAIGN SKIT JUDGING CRITERIA

- Originality and Support of Candidate 40 pts.
- Evidence of Preparation 25 pts.
- Suitability 25 pts.
(Unacceptable Examples: Costuming that includes tight clothing, low cut tops, short shorts or bare midriffs, subject matter such as references to alcohol, drugs, sex, etc., and improper dance gestures and movements, etc.)
- Overall Performance in Promoting candidate 10 pts.

NOMINATION FOR STATE OFFICE - FORM I ILLINOIS STATE JUNIOR BETA CLUB OFFICE

Note: The candidate must be a member of an active Junior Beta Club the school year following his/her election in order to serve as an officer. If the candidate will be a member of a **different** Junior Beta Club next year Form II must be completed and sent with nomination Form I. If Form II is not completed your club will not be contacted and your candidate will **NOT** be eligible to run for office.

The candidate must meet all the listed criteria and be registered with the National Office by December 17, 2008.

1. Name of Candidate _____
2. Home Address of Candidate _____
City _____ State _____ Zip Code _____
Home Phone Number _____ E-Mail Address _____
3. Office for which he/she is nominated _____ Circle Grade 7th or 8th
4. School Name and Address _____
City _____ State _____ Zip Code _____
School Telephone Number _____ E-Mail Address _____
5. PLEDGE: I hereby promise that I will attend the **entire** convention (all meetings and sessions) the year I am a candidate (including the installation) and the **entire** convention the following year, if I am elected to office. I will abide by all rules for campaigns and candidates, and will fulfill all the duties of my office. I have completed all the necessary forms and mailed them to the National Beta Club.

I UNDERSTAND THAT FAILURE TO FULFILL THIS PLEDGE MAY RESULT IN MY DISQUALIFICATION.

I have read, I understand, and I will abide by the pledge.

Signature of Candidate (as it is to be listed in program)

If there are any questions call the National Office or contact the National Official on site of the convention.

6. Signature of Sponsor _____ 7. Signature of Principal _____
8. Please have the Executive Head of your school write a brief letter of approval in the space provided below. (Use back if needed.)

Return by **CERTIFIED MAIL, RETURN RECEIPT REQUESTED** to:

**The National Beta Club
151 Beta Club Way
Spartanburg SC 29306-3012**

POSTMARK DEADLINE: December 17, 2008

**NOMINATION FOR STATE OFFICE - FORM II
ILLINOIS STATE JUNIOR BETA CLUB OFFICE**

If the candidate is to be a **member of a different** Junior Beta Club the year following his/her election to office, please have the *new school's administration and Junior Beta Club Sponsor* complete and sign this form. This form must be returned to the National Office by the deadline date or your candidate will not be eligible to run.

Name of Candidate _____

Name of New School _____

Address of School _____

City _____ State _____ Zip Code _____

School Telephone Number _____

School Fax Number _____

School E-Mail Address _____

Sponsors Pledge:

I hereby promise that I will attend all necessary functions and the entire convention the year _____ serves as a state officer. I will abide by (Name of candidate) all rules and will help him/her fulfill all the duties of his/her office.

Signature of Sponsor _____

Signature of Principal _____

Return by **CERTIFIED MAIL, RETURN RECEIPT REQUESTED** to:

**The National Beta Club
151 Beta Club Way
Spartanburg SC 29306-3012**

POSTMARK DEADLINE: December 17, 2008

TALENT COMPETITION RULES ILLINOIS JUNIOR BETA CLUB CONVENTION

1. Only Betas registered at the national office by your deadline date may take part in the program. All talent participants and names of participants must be sent in on talent entry form or the entry form will be returned making your club ineligible to perform.
2. Judges will automatically eliminate any features exceeding the time limits.
 - Group acts will be limited to **six minutes**. Group acts include five or more students.
 - Special acts will be limited to **four minutes**. Special acts include four or fewer students.
 - Basis for judging: (A) Evidence of preparation 20%; (B) *Appropriateness of the performance* 20%; (C) Talent 50% (D) Overall Performance Quality 10%.
3. Clubs must furnish their own properties. A piano, sound system and cassette tape or CD player are provided. **Any music used for talent must be put on a CD or cassette tape and turned in to the talent coordinator prior to performing.** Please label the CD or cassette with school name, performer(s) name, and title of music. Any change should be reported 10 days prior to the convention date.
All groups and specials will perform in the preliminary competition on the first day of the convention at 1:00 pm if needed. The final five groups and the final eight specials will compete at the Second General Session.
4. If needed all clubs participating in the talent contest must report to convention officials as they register for the convention. ***Performance must be above average*** - avoid corny, crude or risqué jokes and suggestive acts - they are beneath the dignity of Junior Betas.
5. PLEASE USE THE MICROPHONE. Observation has shown this gives best results. Musical numbers are better and for solo and speaking parts, the microphone is a MUST!
6. NO FIRE, HAY, CONFETTI OR BALLOONS MAY BE USED IN ANY ACT! **NO LIP SYNCING WILL BE ALLOWED! Tape or CD for vocal entries must contain music only. (This means no words or computerized/synthesized voices on tape or disc.)**
7. **All entries must be postmarked by December 17, 2008. No late entries will be accepted.** A school may enter **either** the group talent or the special talent, **NOT BOTH**. A school may have only one talent entry.
8. A candidate for state office **CANNOT** participate in the talent contest or they will be disqualified from the state election.
9. **No visual technology allowed, such as power point presentation, slide show, etc.**
10. **Cheerleading stunts without the use of mats are not recommended.**

NOTE: The use of lude or vulgar dance routines or lyrics with profanity will be grounds for disqualifying your act.

GROUP TALENT ENTRY BLANK ILLINOIS JUNIOR BETA CLUB CONVENTION

Note: A school may enter **either** the Group Talent **or** Special Talent, but **NOT BOTH**.

GROUP TALENT: Candidates cannot enter talent contest. Maximum time limit six minutes - must have five or more participants.

1. Name and Address of School _____
 City _____ State _____ Zip Code _____
 Phone Number of School _____
 E-Mail Address of Sponsor _____
2. Title of Entry _____
3. Original? _____ Composed by? _____
4. Brief resume of feature _____
5. Will you use a microphone? _____ How many needed? _____
6. Will you use recorded music? _____
7. Names of Participants **(Must be listed in alphabetical order and be registered Beta members to be eligible to participate.)**

Principal's Signature

Sponsor's Signature

RETURN ENTRY BLANK BY **CERTIFIED MAIL, RETURN RECEIPT REQUESTED**
TO:

**National Beta Club
151 Beta Club Way
Spartanburg SC 29306-3012**

POSTMARK DEADLINE: December 17, 2008

Make sure all students entering competition are members of the National Junior Beta Club and are registered with the National Office by the postmark deadline.

**SPECIAL TALENT ENTRY BLANK
ILLINOIS JUNIOR BETA CLUB CONVENTION**

Note: A school may enter **either** the Group Talent **or** Special Talent, but **NOT BOTH**.

SPECIAL TALENT: Candidates cannot enter talent contest. Maximum time limit four minutes
- must have four or fewer participants.

1. Name and Address of School _____

Phone Number of School _____

E-Mail Address of Sponsor _____

2. Title of Entry _____

3. Original? _____ Composed by? _____

4. Brief resume of feature _____

5. Will you use a microphone? _____ How many needed? _____

6. Will you use recorded music? _____

7. Name(s) of Participant(s) **(Must be a registered Beta member to be eligible to participate.)**

Principal's Signature

Sponsor's Signature

RETURN ENTRY BLANK BY **CERTIFIED MAIL, RETURN RECEIPT REQUESTED**

TO:

**National Beta Club
151 Beta Club Way
Spartanburg SC 29306-3012**

POSTMARK DEADLINE: December 17, 2008

Make sure all students entering competition are members of the National Junior Beta Club and are registered with the National Office by the postmark deadline.

**ARTS AND CRAFTS COMPETITION RULES
ILLINOIS JUNIOR BETA CLUB CONVENTION
GENERAL INFORMATION**

1. Be **very specific** of the category in which entry is entered.
2. An individual may enter only one (1) item per category; however, an individual may enter more than one category. Each school will be limited to one entry per category.
3. Tags are provided in this packet on page 22 to attach to entries for display. We encourage each school to have proper identification on all entries. Include the name of the school and **category of the entry**. The Art Coordinator and judges should not have to guess which category you are entering.
4. Although the club in charge of this competition will take reasonable precautions to protect entries, the club will not be responsible for loss, damage, or breakage. It is the responsibility of clubs entering the contest to collect entered items at the designated times.
5. All entry forms must be **postmarked by December 17, 2008**. No late entries will be accepted. Postmarks will be checked.
6. Entries must be submitted on the attached entry form and sent by **CERTIFIED MAIL, RETURN RECEIPT REQUESTED** to:

**Mrs. Leslie Bradley, Illinois State Sponsor
Vienna High School
601 North First Street
Vienna IL 62995**
7. All art work completed by the individual or group must be presented for judging and display.
8. An identification card **must** be attached to each piece. Three identification cards are included in this packet if you need more, make copies. These must be attached to the back or bottom of each entry.
9. Entries will remain on display until adjournment of the convention.
10. There must be at least two (2) clubs entered in a category for the pieces to be judged. **Students must be present and registered at the convention in order to enter artwork.**
11. In April 1999, the Illinois Junior Beta Sponsors voted to allow the use of KITS for needlepoint, embroidery, and cross-stitch categories. This change has **NOT** been made on the National level. Please be advised that KITS are **not** allowed at the National competition. If this rule is changed, you will receive notification.
12. Make sure all students entering an item are members of the National Junior Beta Club and are registered with the National Office **by the postmark deadline – December 17, 2008**.

**ARTS AND CRAFTS COMPETITION ENTRY FORM
ILLINOIS JUNIOR BETA CLUB CONVENTION**

NAME OF SCHOOL _____

SCHOOL ADDRESS _____

SCHOOL PHONE NUMBER WITH AREA CODE _____

SPONSOR'S NAME _____

CATEGORY

One entry per club per category

- | | |
|---|---|
| ___ 1. *Wreath | ___ 6. *Watercolors |
| ___ 2. Wearable Art | ___ 7. *Oil or Acrylics |
| ___ 3. *Photography
(Black & white or color-
one photograph no larger
than 8 x 10 before framed
No digitally enhanced
Photographs allowed) | ___ 8. *Sculpture |
| ___ 4. *Sketching
(May be pen, pencil or ink)-
(No larger than 8 x 10) | ___ 9. *Needlepoint/Embroidery |
| ___ 5. *Sketching
(May be pastels or charcoals) | ___ 10. *Cross-stitch (stamped or counted) |
| | ___ 11. *Crochet/Knitting |
| | ___ 12. *Woodworking |
| | ___ 13. *Hand-made Jewelry (only one piece) |

Note: It is suggested that the wreaths be presented to a local nursing home, hospital, or senior citizens facility after being judged.

To the best of my knowledge the work that will be entered in the arts and crafts competition was solely created by the student listed for each category.

* These are the categories that will compete at the National Junior Convention. In April 1999, the Illinois Junior Beta Sponsors voted to allow the use of KITS for needlepoint, embroidery, and cross-stitch categories. This change has **not** been made on the National level. Please be advised that KITS are **not** allowed at the National competition. and items using a kit will be disqualified. If this rule is changed, you will receive notification

Sponsor's Signature

Principal's Signature

DEADLINE DATE: December 17, 2008

**Mail to: Mrs. Leslie Bradley
Vienna High School
601 North First Street
Vienna IL 62995**

ARTS AND CRAFTS TAGS

A COPY OF THIS FORM **MUST BE ATTACHED** TO EACH ENTRY IN THE ARTS AND CRAFTS CONTEST.

NAME OF SCHOOL: _____

ADDRESS OF SCHOOL _____

NAME OF STUDENT: _____

CATEGORY: _____

Sponsor's Signature _____

A COPY OF THIS FORM **MUST BE ATTACHED** TO EACH ENTRY IN THE ARTS AND CRAFTS CONTEST.

NAME OF SCHOOL: _____

ADDRESS OF SCHOOL _____

NAME OF STUDENT: _____

CATEGORY: _____

Sponsor's Signature _____

A COPY OF THIS FORM **MUST BE ATTACHED** TO EACH ENTRY IN THE ARTS AND CRAFTS CONTEST.

NAME OF SCHOOL: _____

ADDRESS OF SCHOOL _____

NAME OF STUDENT: _____

CATEGORY: _____

Sponsor's Signature _____

ACADEMIC COMPETITION RULES ILLINOIS JUNIOR BETA CLUB CONVENTION

Entries must be postmarked by **December 17, 2008**.

A student may enter **only one** of the competitions.

A club is allowed to enter **only one** student per competition, **with the exception of Calisthenics of the mind**, and an individual is allowed to enter **only one** competition.

MATH COMPETITION RULES

1. One-hour written exam.
 2. Questions will be basically general mathematics.
 3. No mechanical aids (slide rules, calculators, etc.)
 4. Bring two (2) pencils and an eraser.
 5. The time you finish the test will be recorded. In case of a tie, the participant who finished the test first will be declared the winner.
-

SCIENCE COMPETITION RULES

1. One-hour written exam.
 2. Questions will be basically general science.
 3. No mechanical aids (slide rules, calculators, etc.) or reference materials (books, charts, etc.) will be allowed.
 4. Bring two (2) pencils and an eraser.
 5. The time you finish the test will be recorded. In case of a tie, the participant who finished the test first will be declared the winner.
-

SOCIAL STUDIES COMPETITION RULES

1. One-hour written exam.
2. Questions will come from Illinois history, American history, world history, geography and economics.
3. Bring two (2) pencils and an eraser.
4. The time you finish the test will be recorded. In case of a tie, the participant who finished the test first will be declared the winner.

LANGUAGE ARTS COMPETITION RULES

1. One-hour written exam.
2. Questions will be over all areas of language arts including types of literature, etc.
3. No reference books or other material of any kind will be allowed.
4. Bring two (2) pencils and an eraser.
5. The time you finish the test will be recorded. In case of a tie, the participant who finished the test first will be declared the winner.

CALISTHENICS OF THE MIND COMPETITION

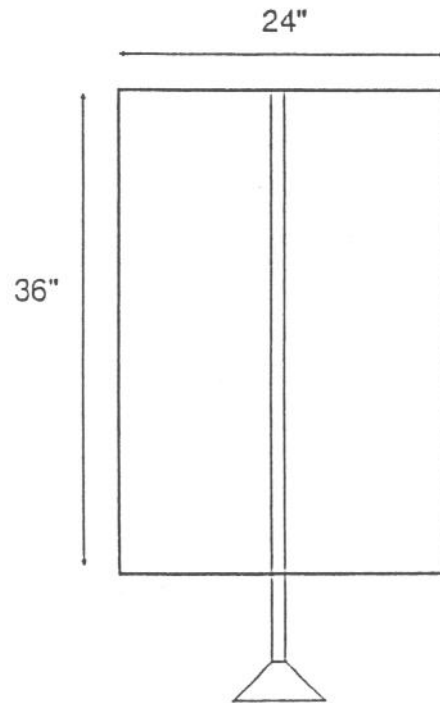
1. One-hour team activity.
2. The team will consist of 4 members.
3. Rules and activity will be explained on site.
4. All necessary materials will be furnished.

BANNER COMPETITION RULES ILLINOIS JUNIOR BETA CLUB CONVENTION

This is a club entry and must be made by Beta members. The banner will be used in the Presidents' Processional to open the First General Session.

The club banners will be brought to the display area immediately following the Presidents' Processional.

1. **The banner is to measure 24" W x 36" L including fringe.** (1/2" more or less will be allowed for shrinkage or stretching.) The banner **must** be free flowing as a flag and two dimensional in design. A **two dimensional** banner has the design and lettering lying flat against the banner material. The depth of the design, lettering, etc. on the material **must not exceed 1/4 of an inch. Anything else will be disqualified.**
2. Bring your own five foot (5') standard for display. No banner will be judged without a standard* or the banner form on the next page.



3. Criteria for judging
 - Color and contrast 25 pts.
 - Craftsmanship 25 pts
(workmanship put into creating the banner)
 - Interpretation of theme 25 pts
 - Originality and creativity 25 pts.
4. ALL WORK MUST BE DONE BY JUNIOR BETA MEMBERS.
5. This banner must be done during the school year.
6. THEME FOR THE BANNER - **“Lights! Camera! Beta! Scene 75”**
(Scene 75 does NOT have to appear on the banner.)

* A 5' x 1" Dowel in a piece of wood (well glued) will be sufficient if you have to make a standard.

BANNER DESCRIPTION TAG
ILLINOIS JUNIOR BETA CLUB CONVENTION

Attach to your banner.

Name of School: _____

Description: Meaning or symbolism used on this banner and how the banner carries out the theme.

The banner is new this year. All work on this banner was done by Junior Beta Club members.

Sponsor's Signature _____

ESSAY COMPETITION RULES ILLINOIS JUNIOR BETA CLUB CONVENTION

1. Subject: **“Lights! Camera! Beta! Scene 75”**
2. Deadline: The judging of the essays takes place *prior* to the convention; therefore, the ESSAY and the form on the next page must be **postmarked no later than December 17, 2008.**
3. Each school may enter **one** individual essay written by a Junior Beta.
4. Length of Essay: Limit the essay from 600-1000 words. Count the words and note the total number of words at the end of the essay. Every word will be counted except dates (such as March 1, 1981) which will be counted as one word only. Do not exceed the word limit.
5. Essay must be typed and double spaced.
6. Bibliography: All essays should include a bibliography with the essay if material from books, pamphlets, letters, newspapers, etc. is used.
7. Title Page: The title of the essay, contestant's name and full address, and school represented must be plainly written on the title page **ONLY**. **Lack of these items will be cause for disqualification.**
8. A copy of the Essay **must** be sent with the Contests Entry Form.
9. All essays will be judged by a panel of impartial individuals.
Judging Criteria:
 - Adherence to and Interpretation of Theme 35 pts
 - Organization and Development 35 pts.
 - Neatness 10 pts.
 - Punctuation/Grammar 10 pts.
 - Spelling 10 pts

**ESSAY CONTEST FORM
ILLINOIS JUNIOR BETA CLUB CONVENTION**

**This is to be included with the essay.
I hereby certify that this is an original essay the student.**

Student's Signature _____

Parent's Signature _____

Principal's Signature _____

Sponsor's Signature _____

DEADLINE DATE: December 17, 2008

Send Certified Mail Return Receipt Requested to:

**Mrs. Leslie Bradley
Vienna High School
601 North First Street
Vienna IL 62995**

LIVING LITERATURE COMPETITION RULES ILLINOIS JUNIOR BETA CLUB CONVENTION

The Living Literature competition provides an opportunity for students to present their interpretation of a scene from a favorite work of literature.

1. Each school may have one entry, either individual or a group of several students.
2. Students should choose a scene and character from any form of literature, including a novel, short story, poem or play. Students recreate the scene through costumes, scenery and props. Essentially, students become “wax museum figures” of the characters. Visitors will stroll through the “museum”.
3. A poster is required, providing a short description of the scene, title, author and school. (standard poster board size)
4. The presentation will take place in three 10-minute increments with a 5-minute break between each. Participants may bring bottled water for breaks.
5. Entrants will have thirty minutes to set up the scene and must be set up and “in character” by the designated time to qualify for judging. Visitation will occur after judging.
6. The dimensions of a scene may not exceed 10 feet wide by 12 feet deep. **Entire scene should be entirely free standing, not leaning on walls. No electricity will be provided.**
7. A number will be assigned for each entry before convention by State Sponsor.
8. There should be no moving objects, live animals, fire, hay, confetti, balloons, mannequins or music in the scene.
9. Entrants must clean their assigned scene area after the contest is over.
10. Sponsors must leave room after setup.
11. Criteria for judging:
 - Scenery – 30 pts
interpretation of the scene, craftsmanship, no moving objects or noise or noise
 - Costume – 30 pts
authentic quality, attention to detail
 - Pose – 30 pts
expression, attitude, ability to maintain character
 - Poster – 10 pts
should include title, author, and school, adequately explain scene, and be eye-catching

POETRY COMPETITION RULES ILLINOIS JUNIOR BETA CLUB CONVENTION

1. Each school may enter one poem written by a Junior Beta member that is registered and present at the convention. Poems may be either free or traditional verse.
2. Poems must adhere to the convention theme: **“Lights! Camera! Beta! Scene 75”**.
3. Poems must be typed and double spaced.
4. A title page must be attached to the original and should include the contestant’s name; school represented, and complete school address. Lack of these items will result in disqualification.
5. Poem cannot exceed 200 words.
6. The original poem with the title sheet and 3 copies **must** be sent with the Contests Entry Form.
7. **At National Convention, the poetry contest is on-site. Review the rules in your National Junior Convention bulletin.**
8. Judging: All poems will be judged by a panel of impartial individuals.
Criteria for judging
 - Impact – 30 pts.
writer has something to say; completeness and correctness of content and form.
 - Inventiveness – 30 pts.
reader is surprised by new and unexpected elements, coined words, figurative language, unconventional punctuation, spelling, or format, etc.
 - Individuality – 30 pts.
a distinctive voice, tone, or point of view.
 - Adherence to Rules - 10 pts.

**POETRY COMPETITION FORM
ILLINOIS JUNIOR BETA CLUB CONVENTION**

**This is to be included with the poem.
I hereby certify that this is an original poem the student.**

Student's Signature _____

Parent's Signature _____

Principal's Signature _____

Sponsor's Signature _____

DEADLINE DATE: December 17, 2008

Send Certified Mail Return Receipt Requested to:

**Mrs. Leslie Bradley
Vienna High School
601 North First Street
Vienna IL 62995**

POSTER COMPETITION RULES
ILLINOIS JUNIOR BETA CLUB CONVENTION

1. Students should report to the designated room by 2:00 PM on February 2, 2009.
2. Teams of 2 to 4 students will design an original poster on site on a theme to be assigned at the beginning of the competition.
3. Teams may use only the following items which will be provided:
 - White Poster board - 14" x 22"
 - Pencils and erasers
 - Colored markers (any size) limited to 8 primary colors
4. This competition will have one hour to complete their poster.
5. Criteria for judging:
 - Adherence to theme 20%
 - Creativity 20%
 - Overall appearance 20%
 - Originality 20%
 - Neatness 20%

QUIZ BOWL COMPETITION RULES ILLINOIS JUNIOR BETA CLUB CONVENTION

The Quiz Bowl competition will be made up of teams of four members. Students who are in other competitions may not be on a quiz bowl team. **Each school may enter only one team.** Questions will vary in difficulty. This is a general knowledge competition that stresses quick recall.

1. Each team consists of 4 members. Students must be registered with the National Beta Club by the registration deadline of the Convention. Each team must designate a captain.

Written Test

1. A team of four will work on the test together.
2. Scores on the written test will be determined from the total number of correct answers.
3. To break ties, the time the answer sheets are turned in will be used.
4. The entrants will be allowed one (1) hour to complete the 50 questions.
5. The decision of the judges will be final.
6. The Quiz Bowl at National Convention will be oral. See your National Junior Bulletin for rules.

**QUIZ BOWL ENTRY FORM
ILLINOIS JUNIOR BETA CLUB CONVENTION**

Name of School _____

Address _____

Telephone Number with Area Code _____

E-Mail Address _____

Sponsor's Signature _____

Principal's Signature _____

Only one team per school may enter.

	Name of Team Member	Grade	Captain
1.	_____		
2.	_____		
3.	_____		
4.	_____		

Duplicate form and send copy to National Office with convention registration

Send this form by **CERTIFIED MAIL, RETURN RECEIPT REQUESTED** TO:

**Mrs. Leslie Bradley
Vienna High School
601 North First Street
Vienna IL 62995**

and

**The National Beta Club
151 Beta Club Way
Spartanburg SC 29306-3012**

POSTMARK DEADLINE: December 17, 2008

SCRAPBOOK COMPETITION RULES ILLINOIS JUNIOR BETA CLUB CONVENTION

ALL SCRAPBOOKS MUST BE TURNED IN BETWEEN 1:15 PM and 2:15 PM on Monday, February 2, 2009. Only schools registered at the Convention are eligible to participate.

1. Only one (1) scrapbook per club may be entered into competition.
2. The scrapbook should cover only one year, convention to convention.
3. All work is to be done only by Beta members with the supervision of the Sponsor.
4. The material is to be enclosed in a hardback cover. The name of the school and the organization may be used on the cover if desired.
5. The first page of the scrapbook shall contain only the name of the club and the name of the school. (Title Page)
6. The scrapbook should contain a table of contents.
7. The theme is “**Lights! Camera! Beta! Scene 75**”. (**Scene 75 does NOT have to appear in the Scrapbook.**)
8. The contents of the scrapbook may include: (a) School Service Projects; (b) Community Service Projects; (c) Interclub Service Projects; (d) Social Functions; (e) Original Categories (unique to the school); (f) Beta members in other school related activities.
9. All newspaper clippings should be identified as to source and date.
10. **Staples and tape should not be used to secure materials (use glue or special materials).**
11. The scrapbook should be simple to handle - pages easily turned, etc. It might be helpful to remember that the judges are not personally familiar with your school. The entries must be understandable to a person outside your organization. The scrapbook should not exceed 24" L by 24"W by 12"H or it will be **disqualified**. This size will also include any display stand.
12. Scrapbooks will be on display for viewing. Monitors will be assigned to the area for supervision.
13. Judging of scrapbooks will be done using the following guidelines:
 - Cover and Binding 10 pts.
 - Table of Contents, Title Page 10 pts.
 - Originality 20 pts.
 - Art Work and Overall Artistic Appeal 30 pts.
 - Contents 30 pts.

SONGFEST COMPETITION RULES ILLINOIS JUNIOR BETA CLUB CONVENTION

1. Clubs who are interested will take the melody of a well-known song, jingle, or commercial and re-write the words for Junior Beta. **(NO MEDLEYS)**. *The songfest entry must follow the convention theme, “Lights! Camera! Beta! Scene 75”. (Scene 75 does not have to be used in the lyrics.)*
2. Lyrics to be sung **MUST** be typewritten on 8 1/2 x 11 inch paper and submitted with the entry form.
3. The club submitting the song will then *perform* the song and record it on a VHS **video tape or DVD** (accompaniment with musical instrument(s) is optional). The tape copy should not have the original lyrics, but may have substituted words. Do not use the club's name in the lyrics.
4. **No props, no choreographic movement or animation, no dramatic gestures or costumes allowed. Only matching shirts, pants or skirts will be allowed.**
5. The WORDS and the VHS VIDEO TAPE or DVD of the club singing must be sent by **CERTIFIED MAIL, RETURN RECEIPT REQUESTED** to:

**Ms. Joanna Lane
2200 Illinois Ave.
Eldorado IL 62930**

6. The **top three** convention songs will be selected from those submitted and the Sponsor will be notified.
7. Length of the song may not exceed three minutes. On stage presentation may not exceed five minutes including set up and take down. There must be minimum of 2 minutes for the performance. Violation of this rule will result in disqualification.
8. The **top three** finalists will present their songs on stage. CLUB MEMBERS MUST SING THEIR SONG ON STAGE. **NO LIP SYNCING WILL BE ALLOWED. NO BACKGROUND VOCALS ARE TO BE ON THE SOUNDTRACK. Tape or disc for vocal entries must contain music only. (This means no words or computerized/synthesized voices on tape or disc.)**
9. Since this is a club entry, the on-stage performance must involve **at least 75% of the club attendance at convention or 50 members, whichever is less.**
10. No candidate may participate in the Songfest competition.
11. **Judging Criteria for Songfest Competition**
 - Originality (Words, Phrases) 50 pts.
 - Club’s overall performance 10 pts.
(Props and dance movement will not be allowed)
 - Adherence to Rules 20 pts.
 - Use of Theme 20 pts.

*Keep in mind that songfest is **not** a shortened group talent. The basis for judging is originality of words and the vocal performance.

**SONGFEST COMPETITION ENTRY FORM
ILLINOIS JUNIOR BETA CLUB CONVENTION**

SPONSORS: Please complete the top of this form and send it by **CERTIFIED MAIL, RETURN RECEIPT REQUESTED** along with the words and VHS Video tape to:

**Ms. Joanna Lane
2200 Illinois Ave.
Eldorado IL 62930**

POSTMARKED NO LATER THAN: December 17, 2008

1. Name and Address of School _____

(City, State and Zip Code) _____
2. School Telephone including Area Code _____
3. E-Mail Address _____
4. Principal's Signature _____
5. Sponsor's Signature _____
6. Sponsor's Telephone including Area Code _____

SONGFEST SCORE SHEET

YOUR SCORE	POSSIBLE SCORE	CRITERIA
	50	Originality (Words, Phrases)
	10	Club's Overall Performance
	20	Adherence to Rules
	20	Theme: "Lights! Camera! Beta! Scene 75"
	100	TOTAL

**SPEECH COMPETITION RULES
ILLINOIS JUNIOR BETA CLUB CONVENTION**

1. Topic: **“Lights! Camera! Beta! Scene 75”**
2. **Only one student** per school can enter and **the postmark deadline for entering will be December 17, 2008.**
3. Time limit: 1-2 minutes. There will be an official timer to record times. Any variation from the limits - over or under - will result in points being deducted from the speaker's score - five points for every fifteen seconds.
4. Criteria for judging: All speeches will be judged by a panel of impartial citizens.
 - Adherence to theme 20 pts
 - Interest Level 10 pts
 - Effectiveness of delivery 10 pts.
 - Organization 10 pts.
 - Eye Contact 10 pts.
 - Transition 10 pts.
 - Enthusiasm 10 pts.
 - Verbal Support 10 pts.
 - Overall Effectiveness 10 pts.
5. Date: Speeches will be presented at 2:00 PM on Monday, February 2, 2009.

SPELLING BEE COMPETITION RULES ILLINOIS JUNIOR BETA CLUB CONVENTION

1. Words shall be pronounced according to the diacritical markings in the AMERICAN HERITAGE DICTIONARY OF THE ENGLISH LANGUAGE, Third Edition, copyright 1992 by Houghton Mifflin company from which the pronouncer, with the approval of the judges, may give a fuller explanation of the meaning of the word to supplement the dictionary definition(s) quoted.
2. After the pronouncer gives the contestant a word, the contestant must pronounce the word correctly before and after spelling it.
3. Having started to spell a word, a contestant may stop and start over, retracing the spelling from the beginning, but in the retracing, there can be no change of letters and their sequences from those first pronounced. If letters or their sequences are changed in the respelling, the speller will be eliminated.
4. After missing the spelling of a word, the contestant immediately drops out of the contest. The next word on the pronouncer's list is given to the next contestant.
5. When the contestants are reduced to two, the elimination procedure changes. At that point, when one contestant misspells a word, the other contestant spells that word correctly, plus the next word on the pronouncer's list, then the second contestant shall be declared the champion.
6. If one of the two spellers misses and the other, after correcting the error, misspells the new word submitted to him/her, then the misspelled new word shall be referred to the first speller. If the first speller then succeeds in correcting the error and correctly spells the next word on the pronouncer's list, then he/she shall be declared champion.
7. If both spellers misspell the same word, both shall continue in the contest, and the one who first misspelled the word shall be given a new word to spell. The contest shall then continue under rules 5 and 6.
8. Level of difficulty will be changed with the beginning of a new round.

T-SHIRT DESIGN COMPETITION RULES ILLINOIS JUNIOR BETA CLUB CONVENTION

1. Each school will be limited to one entry. **The postmark deadline for entering is December 17, 2008.**
2. The Convention theme is **“Lights! Camera! Beta! Scene 75.”** (Scene 75 does NOT have to appear on the T-shirt.)
3. The T-Shirt Design is a club project. The t-shirt must be student designed and reproduced commercially. The t-shirt cannot be commercially altered. The original artwork done by student(s) must be entered with t-shirt. The t-shirt must adhere to the convention theme.
4. Although reasonable precautions to protect entries will be taken, the National Beta Club will not be responsible for loss, or damage. It is the responsibility of clubs entering the contest to collect entered items at the designated times.
5. All work must be presented for judging and display between 1:15 PM and 2:15 PM on Monday afternoon, February 2, 2009.
6. There must be at least two (2) clubs entered in a category for the pieces to be judged.
7. Students must be present and registered at the convention in order to enter a t-shirt.
8. Criteria for judging
 - Use of theme 10 points
 - Creativity/originality 30 points
 - Overall artistic appeal 30 points
 - Complexity of Design 20 points
 - Adhere to rules 10 points

TOWER OF POWER RULES ILLINOIS JUNIOR BETA CLUB CONVENTION

Using plastic drinking straws and **one roll of standard masking tape**, students are to design and construct a portable freestanding tower that can support a tennis ball at its pinnacle.

1. Construct a portable tower of standard plastic drinking straws using **one standard roll of masking tape**.
2. Scissors are the only tools permitted.
3. If a chair, step stool or small ladder will be needed for construction, your team must furnish this at the time of competition.
4. The tower must be able to support a tennis ball at its pinnacle for a minimum of 60 seconds.
5. Time limit for assembly is 20 minutes. Team members will step away from the tower at the end of 20 minutes. After all teams have tennis balls in place timing will begin for 1 minute. (Tennis balls may be placed on the tower during the 20-minute construction)
6. Official height will be measured from the floor to the top of the tennis ball.
13. The tallest structure which can hold the tennis ball for the 60-second minimum wins.

Materials: to be given out at the time of the competition

250 plastic drinking straws (PYA straws are used. Clear straws will be used.)
1/4" masking tape, 1 roll per club
one pair of scissors
one tennis ball

Entry Requirements:

1. Only one team may be entered per school.
2. A team consists of 5 Junior Beta Club members and two (2) alternates.
3. Construction of the tower during competition must be done **ONLY** by the team members. Alternates may enter only if a team member is unable to participate. Sponsors/Adults **MAY NOT** enter room during competition.
4. Failure to observe rules or deadlines will result in disqualification of the entry.

**CONTESTS ENTRY FORM
ILLINOIS JUNIOR BETA CLUB CONVENTION**

NAME OF SCHOOL _____

SCHOOL ADDRESS _____

SCHOOL PHONE NO. () _____ SCHOOL FAX NO . () _____

EMAIL ADDRESS: _____

SPONSOR (S) _____

PLEASE CHECK ON THE LIST BELOW THE CONTESTS YOUR BETA CLUB WILL BE ENTERING AT THE STATE CONVENTION. PLEASE READ ALL CONTEST RULES ENCLOSED IN THE BULLETIN. Individual names are not needed.

NOTE: Only **one** entry per school for each individual contest. Some contests occur at the same time. Students may not enter more than one contest that competes at the same time.

- | | |
|--|------------------------|
| ___ 1. Banner | ___ 9. Quiz Bowl |
| ___ 2. Calisthenics of the Mind Team | ___ 10. Science |
| ___ 3. Essay (must be enclosed with this form) | ___ 11. Scrapbook |
| ___ 4. Language Arts | ___ 12. Social Studies |
| ___ 5. Living Literature | ___ 13. Songfest |
| ___ 6. Math | ___ 14. Spelling |
| ___ 7. Poetry | ___ 15. Speech |
| ___ 8. Poster | ___ 16. T-Shirt Design |
| | ___ 17. Tower of Power |

Sponsor's Signature

Principal's Signature

RETURN BY **CERTIFIED MAIL, RETURN RECEIPT REQUESTED** TO:

**Mrs. Leslie Bradley
Vienna High School
601 North First Street
Vienna IL 62995**

POSTMARK DEADLINE FOR ENTRY: December 17, 2008

REQUEST FOR JUDGES
ILLINOIS JUNIOR BETA CLUB CONVENTION

1. My school has not entered the Scrapbook Competition. I will serve as a Scrapbook judge.

Name _____

School _____

2. My school has not entered the Banner Competition. I will serve as a Banner judge.

Name _____

School _____

3. My school has not entered the T-Shirt competition. I will serve as a T-Shirt judge.

Name _____

School _____

4. My school has not entered the Special Talent Competition. I will serve as a Special Talent judge.

Name _____

School _____

5. My school has not entered the Group Talent Competition. I will serve as a Group Talent judge.

Name _____

School _____

Please mail to: **Mrs. Leslie Bradley**
Vienna High School
601 North First Street
Vienna IL 62995

Postmark Deadline – December 17, 2008

If you are selected as a judge, you will be contacted by the state sponsor.

ONLINE REGISTRATION FORM ILLINOIS JUNIOR BETA CONVENTION

- Convention Registration Form is now online at www.sponsors.betaclub.org

It must be

- Completed online
 - Submitted online
 - Printed
 - Mail Certified/Return Receipt Requested to: **The National Beta Club, 151 Beta Club Way, Spartanburg, SC 29306-3012** with a check for the registration fee no later than the deadline postmark of December 17, 2008.
- **By registering online you can be sure that all of your students attending the convention are members of the National Beta Club. If a student is not a member, you can send in the membership application by the deadline date (December 17, 2008) for them to be eligible to compete at the convention.**
 - **Registration is \$16.00 per Beta Club member attending the convention and Must be postmarked by the deadline date of December 17, 2008. All registrations postmarked after the December 17th deadline date will be required to pay a late registration of \$18.00 per Beta Club member.**
 - **There is no charge for Sponsors and chaperones but they should all register.**
 - **The registration materials and credentials can be picked up at the convention. It will not be necessary for all the students to report at the registration station. The sponsor can pick up all the registration credentials for the club.**
 - **Registration fees are non-refundable and NO exceptions will be made.**

**REQUEST FOR ROOM RESERVATIONS
ILLINOIS JUNIOR BETA CLUB CONVENTION
FEBRUARY 2-3, 2009**

Complete Form and Return to hotel of choice.

Please Print or Type in Black (do not use blue ink)

Arrival Date _____ Departure Date _____

Number of Rooms Needed: 4 to a room _____
 3 to a room _____
 2 to a room _____
 1 to a room _____

Mail confirmation to: Advisor _____

School _____

Address _____
 (Street) (City) (State) (Zip)

Phone with area code _____
 (School) (Home)

Rates	Single	Double	Triple	Quad
Crowne Plaza Springfield 3000 S Dirksen Pkwy Springfield, IL 62703	\$120.00	\$120.00	\$120.00	\$120.00
Holiday Inn Express 3050 S Dirksen Pkwy Springfield, IL 62703	\$98.00	\$98.00	\$98.00	\$98.00

This form must be mailed to the hotel and postmarked by December 17, 2008.

Tax-exempt status must be cleared with the hotel prior to check in.

A first night's deposit for each room is required.

The current hotel and sales tax is 10%.

Check in time is 12:00 Noon.

Cancellations must be made no later than 72 hours prior to arrival to avoid being charged for room(s).

Use the next page of this form for the rooming list and attach additional sheets if needed.

ILLINOIS JUNIOR BETA CLUB CONVENTION
HOTEL RESERVATION ROOMING LIST

Give name of each person in room:

Room 1: _____ Room 7: _____ Room 17: _____

Room 2: _____ Room 8: _____ Room 14: _____

Room 3: _____ Room 9: _____ Room 15: _____

Room 4: _____ Room 10: _____ Room 16: _____

Room 5: _____ Room 11: _____ Room 17: _____

Room 6: _____ Room 12: _____ Room 18: _____

